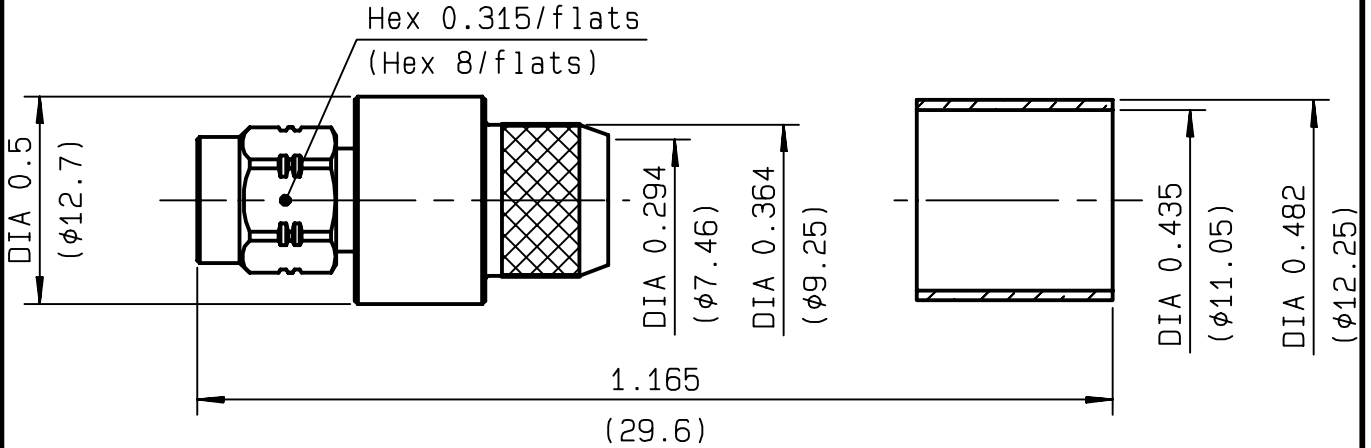


**STRAIGHT PLUG CRIMP TYPE
CABLE 10.3/50 LMR400**

R124.080.030
SERIES SMA-COM

4 Creves pour immobilisation du contact-central
(4 idents for center-contact captivation).
(4-Punkt-Crimping zur Fixierung des innenleiters).



NOMINAL IMPEDANCE	50 Ω
FREQUENCY RANGE	0-12.4 GHz
TEMPERATURE RATING	-65/+165 °C
V.S.W.R	1.25* + x F(GHz)Maxi
RF INSERTION LOSS	0.05 √F(GHz) dB Maxi
VOLTAGE RATING	500 Veff Maxi
DIELECTRIC WITHSTANDING VOLTAGE	1000 Veff Mini
INSULATION RESISTANCE	5000 MΩMini
HERMETIC SEAL	NA Atm.cm ³ /s
LEAKAGE (pressurized only)	NA
MECHANICAL DURABILITY	100 Cycles
WEIGHT	24.6 gr
SPECIFICATION	

CABLES : **LMR 400**
LMR 400 FR

OTHERS CHARACTERISTICS

	* 0-9 GHz
CABLE RETENTION	400 N Mini
CENTER CONTACT RETENTION	
Axial force - mating end	15 N Mini
Axial force - opposite end	15 N Mini
Torque	NA cm.N Mini
RECOMMENDED TORQUES	
Mating	60 cm.N
Panel nut	NA cm.N
Clamp nut	NA cm.N

CONNECTOR PARTS:	MATERIALS	FINISH	(all values are given in micrometers)
BODY	BRASS	NICKEL 2	
OUTER CONTACT			
CENTER CONTACT	BRASS	GOLD 1.3 OVER NICKEL 2	
INSULATOR	PTFE	-	
GASKET		-	
OTHERS PIECES		NICKEL 2	

ISSUE	CREATION DATE	FILE PART-NUMBER
0228D00	03/11/1995	95-0400-929



RADIALL®

RAFFAELI

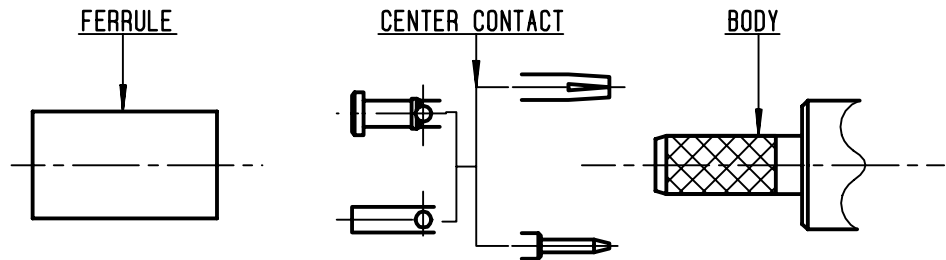
The information given here is subject to change without notice.
Design changes may be in order to improve the product .

Connect to the future



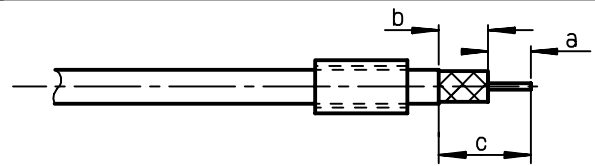
R124.080.030

ISSUE 0228D00 SERIES SMA-COM



①

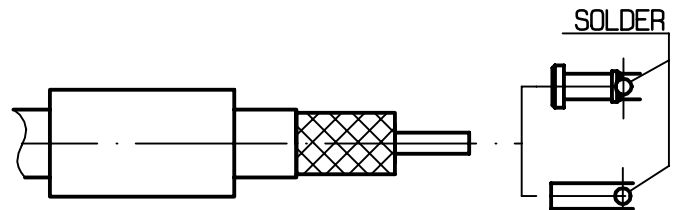
Slide the ferrule onto the cable .
Strip the cable .
-
-



Stripping	a	b	c	d	e
inch	0.177	0.315	0.445	0	0
mm	4.5	8	11.3		

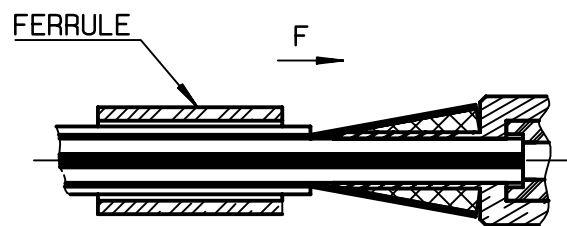
②

Slide center contact on until it bottoms against cable dielectric .
Solder center contact .
Clean soldered area .
-
-



③

Fan the braid .
Slide cable into body until it bottoms against insulator .
Slide ferrule over the braid .
(In direction F)



④

Crimp the ferrule with crimping tool R 282 231 000 (Hex. : 0.415) or crimping tool R 282 293 000 (M22520/5-01) and dies R 282 235 116 (Y116 DANIELS)
Cut the excess of braid if necessary.
-
-
-
-

